



Specification grade area lights available in IES Type IV distributions. Best-in-class 5-G vibration rating. 5-year, limited warranty.

Color: Bronze

Weight: 20.9 lbs

<b>Project:</b>	<b>Type:</b>
<b>Prepared By:</b>	<b>Date:</b>

Driver Info		LED Info	
Type	Constant Current	Watts	160W
120V	1.35A	Color Temp	5000K (Cool)
208V	0.78A	Color Accuracy	77 CRI
240V	0.67A	L70 Lifespan	100,000 Hours
277V	0.59A	Lumens	20,839 lm
Input Watts	159.3W	Efficacy	130.8 lm/W

### Technical Specifications

#### Compliance

**UL Listed:**

Suitable for wet locations

**IP Rating:**

Ingress protection rating of IP66 for dust and water

**IESNA LM-79 & LM-80 Testing:**

RAB LED luminaires and LED components have been tested by an independent laboratory in accordance with IESNA LM-79 and LM-80.

**DLC Listed:**

This product is on the Design Lights Consortium (DLC) Qualified Products List and is eligible for rebates from DLC Member Utilities. Designed to meet DLC 5.1 requirements.  
DLC Product Code: PN557AQ2

#### Electrical

**Driver:**

Constant Current, Class 2, 120-277V, 50/60 Hz, 120V: 1.35A, 208V: 0.78A, 240V: 0.67A, 277V: 0.59A

**Dimming Driver:**

Driver includes dimming control wiring for 0-10V dimming systems. Requires separate 0-10V DC dimming circuit. Dims down to 10%.

**THD:**

8.37% at 120V, 13.53% at 277V

**Power Factor:**

99.5% at 120V, 93.2% at 277V

**Surge Protection:**

L-N 4kV; L-L, L-GND 6kV

#### Performance

**Lifespan:**

100,000-Hour LED lifespan based on IES LM-80 results and TM-21 calculations

**Wattage Equivalency:**

Equivalent to 400W Metal Halide

#### Construction

**IES Classification:**

The Type IV distribution (also known as a Forward Throw) produces a semicircular distribute, and is especially suited for mounting on sides of buildings or walls and perimeter of parking areas

**Effective Projected Area:**

EPA = 0.8

**Vibration Rating:**

Industry-leading 5G vibration rating per ANSI C136.31

**Cold Weather Starting:**

The minimum starting temperature is -40°C (-40°F)

**Ambient Temperature:**

Suitable for use in up to 40°C (104°F)

**Housing:**

Precision die-cast aluminum housing

**Mounting:**

Mounts to RAB square poles. Mounts to all square and round poles if optional Universal Pole Adaptor is used.

**Lens:**

Clear acrylic lens with integrated optics

**Gaskets:**

High-temperature silicone gaskets

**Finish:**

Formulated for high durability and long-lasting color

**Green Technology:**

Mercury and UV free. RoHS-compliant components.

#### LED Characteristics

**LEDs:**

Long-life, high-efficacy, surface-mount LEDs

**Technical Specifications (continued)**

**Color Uniformity:**

RAB's range of Correlated Color Temperature follows the guidelines of the American National Standard for Specifications for the Chromaticity of Solid State Lighting (SSL) Products, ANSI C78.377-2017.

**Other**

**5 Yr Limited Warranty:**

The RAB 5-year, limited warranty covers light output, driver performance and paint finish. RAB's warranty is subject to all terms and conditions found at [rablighting.com/warranty](http://rablighting.com/warranty).

**FTC Country of Origin:**

This product was assembled in the USA by RAB using imported components

**Buy American Act Compliance:**

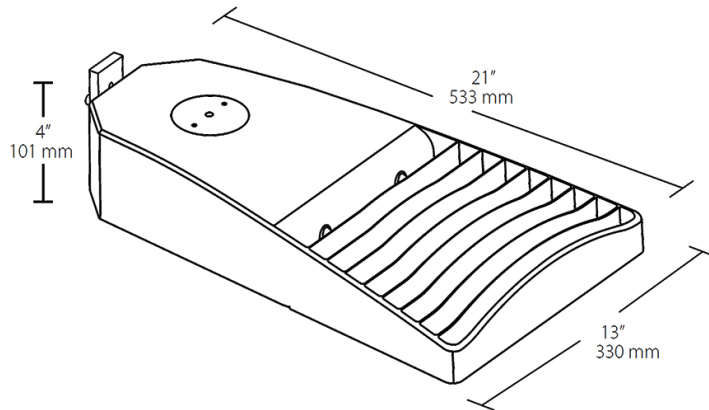
This product complies with the Buy American Act

**Optical**

**Full Cutoff:**

Allows for conformance to the IDA's fully shielding requirement, emitting no light above 90 degrees.

**Dimensions**



**Features**

- 100,000-hour LED lifespan
- Type IV distribution

Ordering Matrix

Family	IES Type	Wattage	Color Temp	Finish	Driver Options	Mounting	Sensor Options	Accessories	Other Options
LOT	4T	160			/D10				USA
	4T = Type IV	65 = 65W 110 = 110W	Blank = 5000K Cool	Blank = Bronze	/D10 = 120-277V, 0-10V Dimming (standard)	Blank = Mounts to RAB square poles	Blank = None	Blank = None	Blank = Standard
	3T = Type III	160 = 160W	N = 4000K Neutral	W = White	/480/D10 = 480V, 0-10V Dimming	/UPA = Universal Pole Adaptor	/PCT = 120-277V Twistlock PC	/HS = 2 House-Side-Shields	USA = BAA Compliant
	2T = Type II		Y = 3000K Warm				/PCT4 = 480V Twistlock PC		
	5T = Type V						/WS2 = Wattstopper Sensor + 20ft lens, 120-277V		
							/WS4 = Wattstopper Sensor + 40ft lens, 120-277V		
							/5PR = 5-Pin Receptacle, no PCT		
							/7PR = 7-Pin Receptacle, no PCT		
							/BL = Bi-Level Dimming, 120-277V		